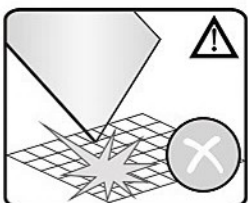
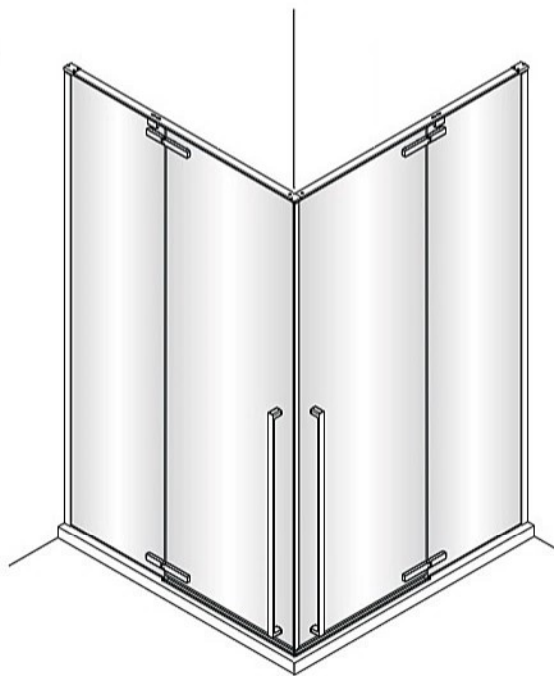


# AXM90/AXM10/AXM12 + AXM90/AXM10/AXM12

## Montagehandleiding



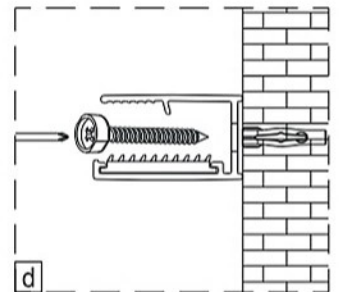
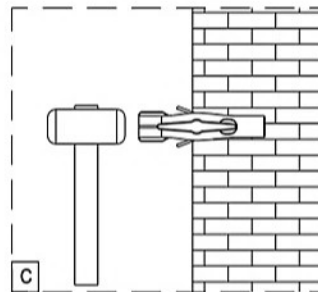
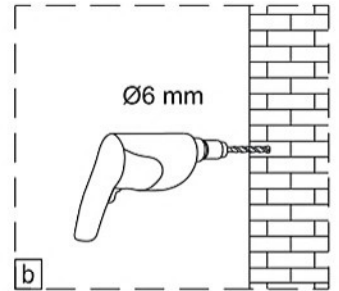
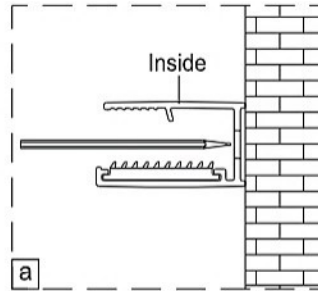
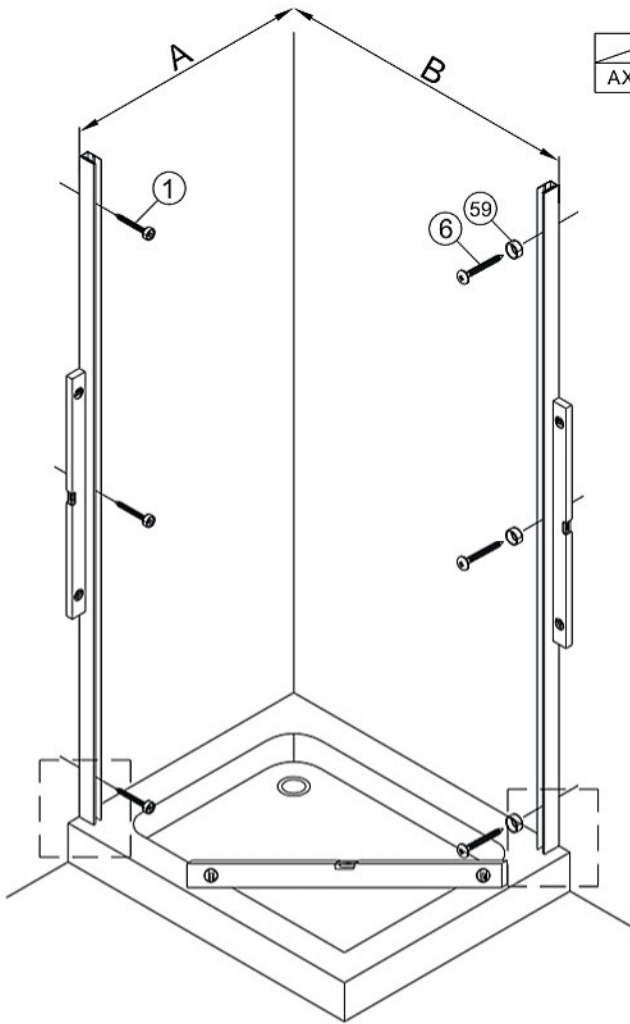
**LET OP!** Gehard veiligheidsglas. Voorzichtig hanteren!  
Zet de glaswand niet op een van de punten,  
want daardoor kan hij breken.

# SET B

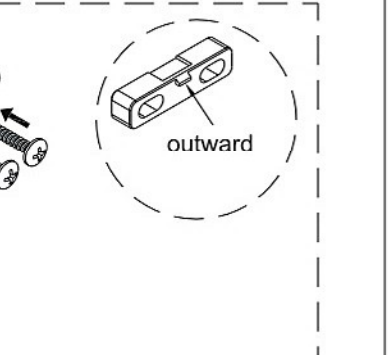
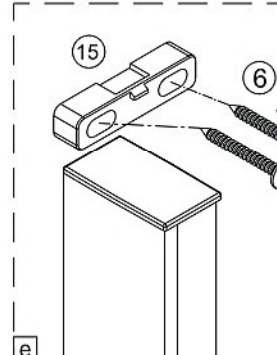
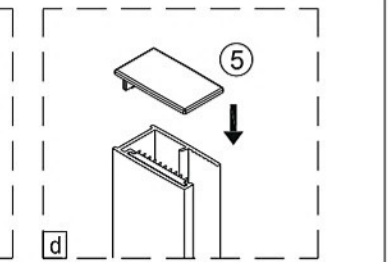
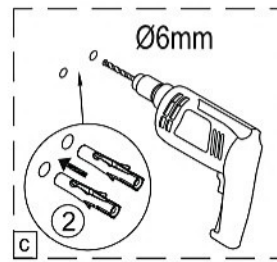
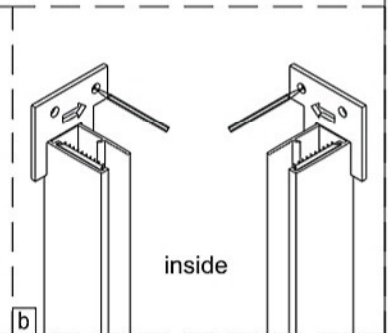
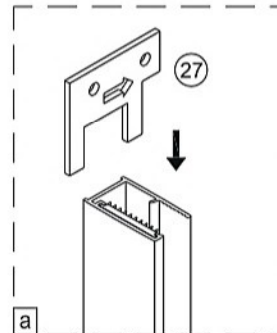
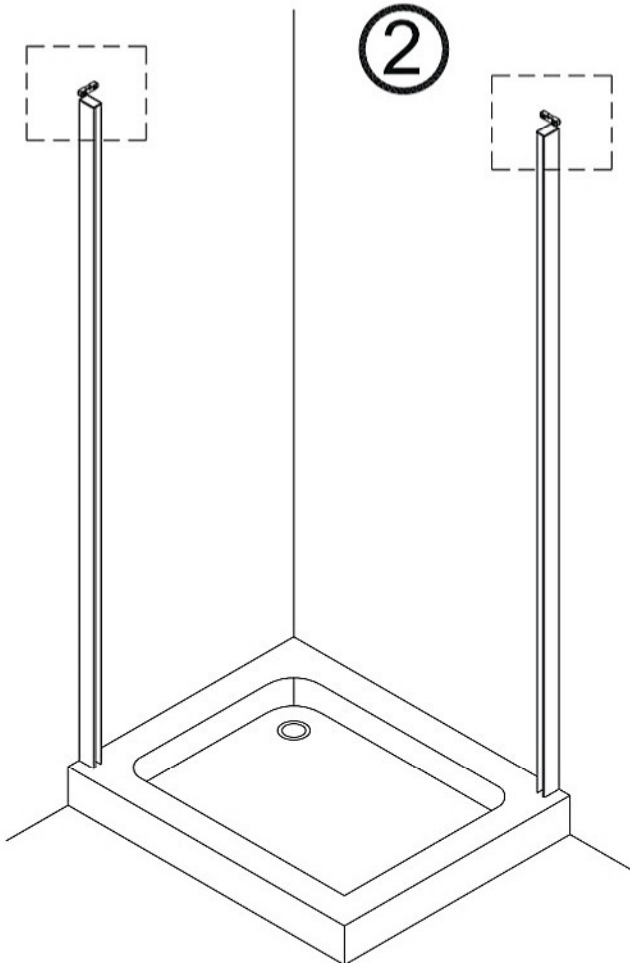
	A(mm)
AXR90	868-883

	B(mm)
AXM90	868-883
AXM12	1168-1183

## 1

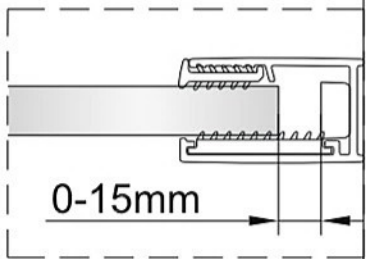
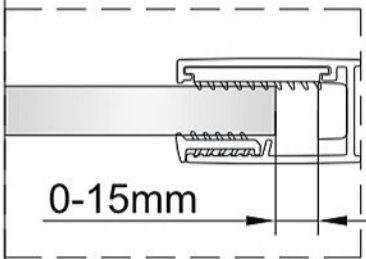
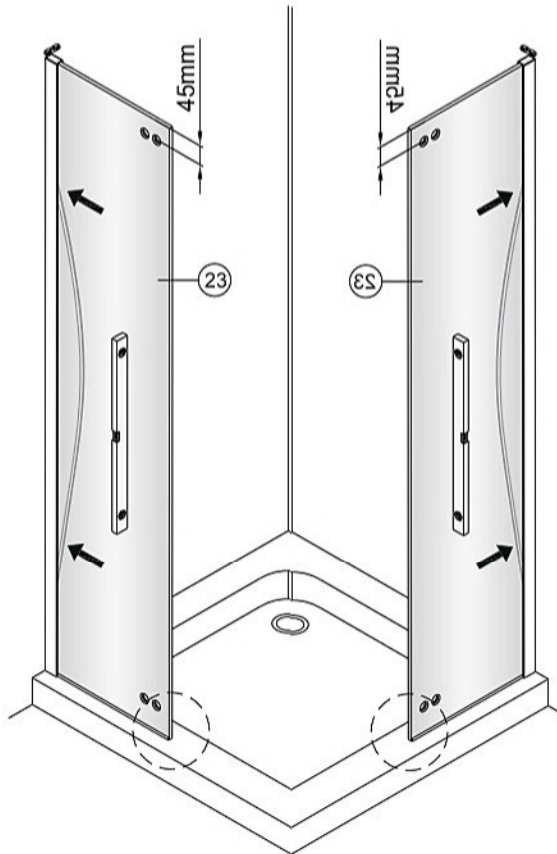
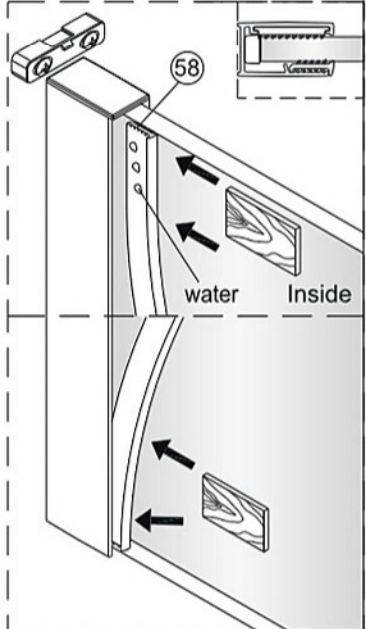
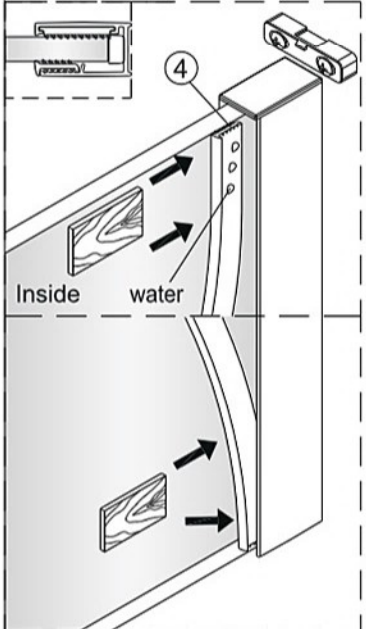


## 2



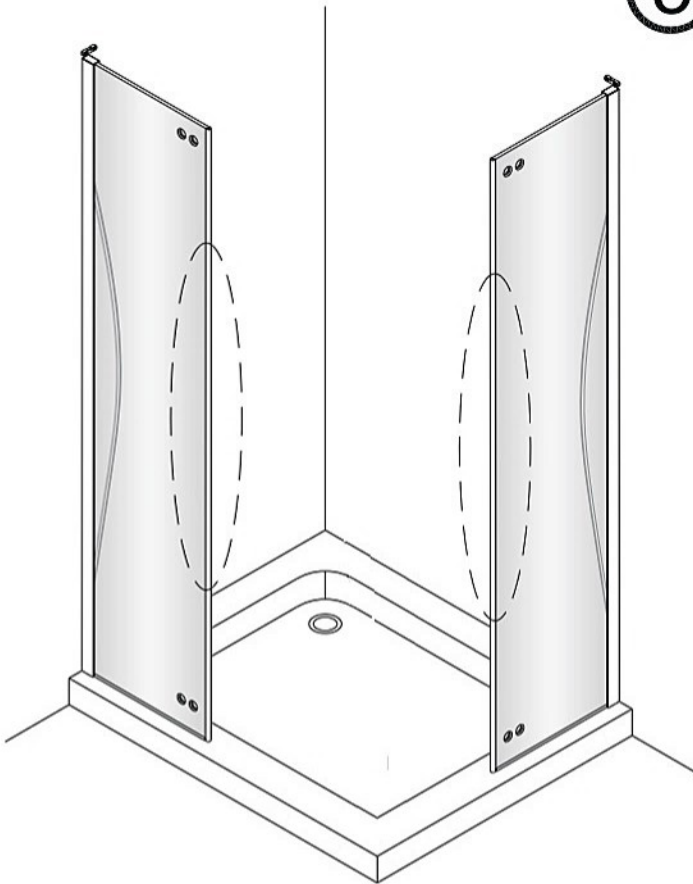
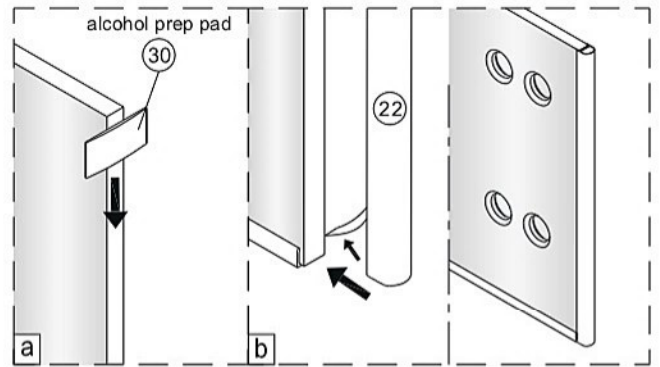
3

4

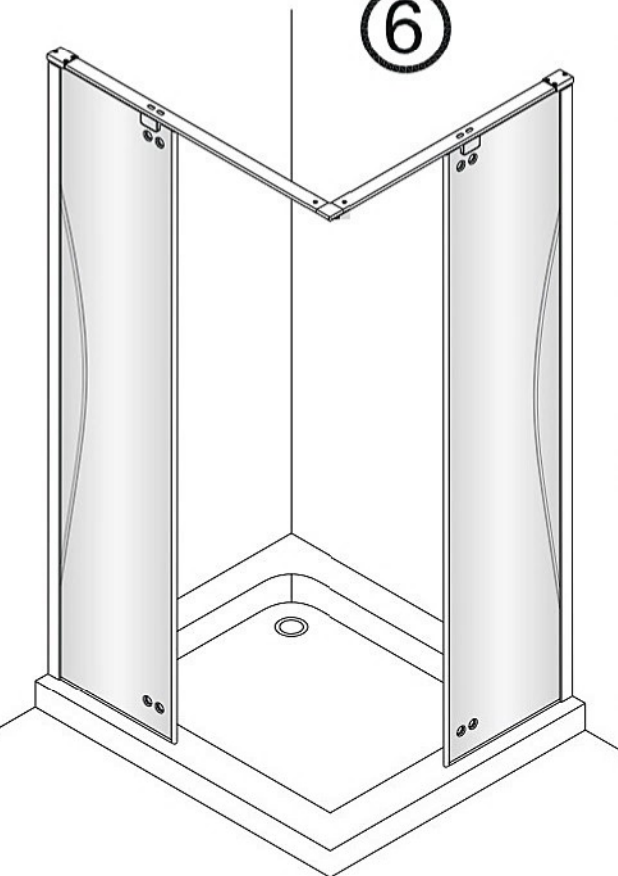
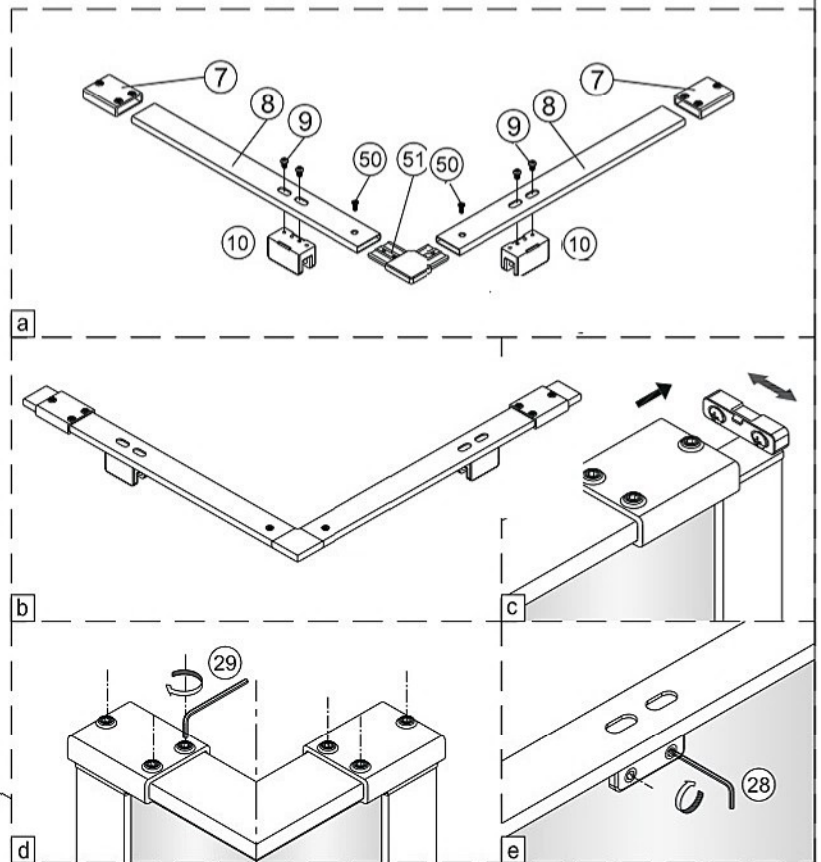


5

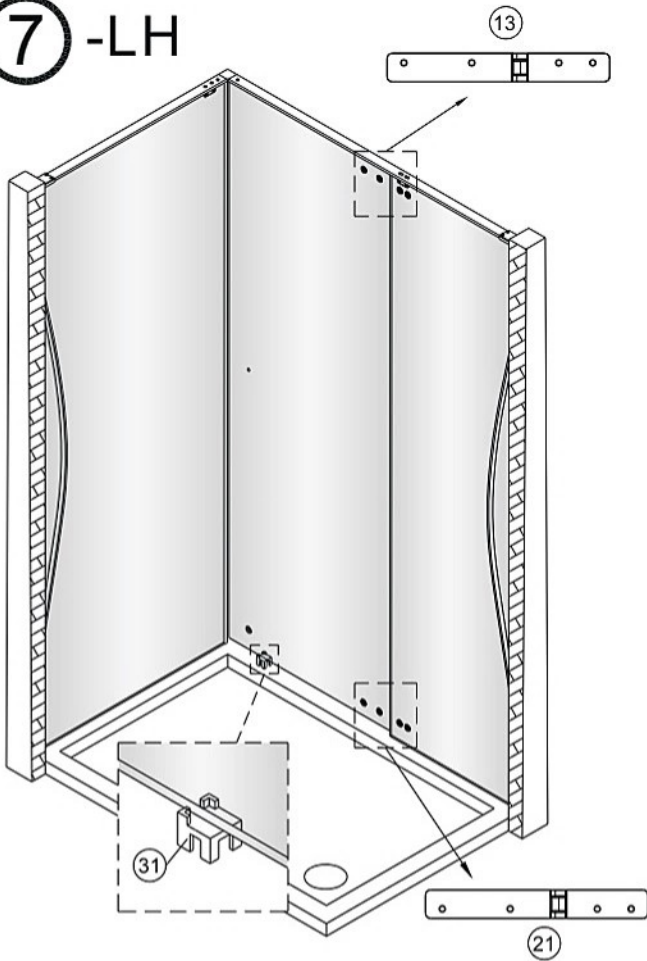
Clean the glass edge by No.30.  
Remove the double-side tap a little bit and stick the joint to the glass edge,doing them on the same time.



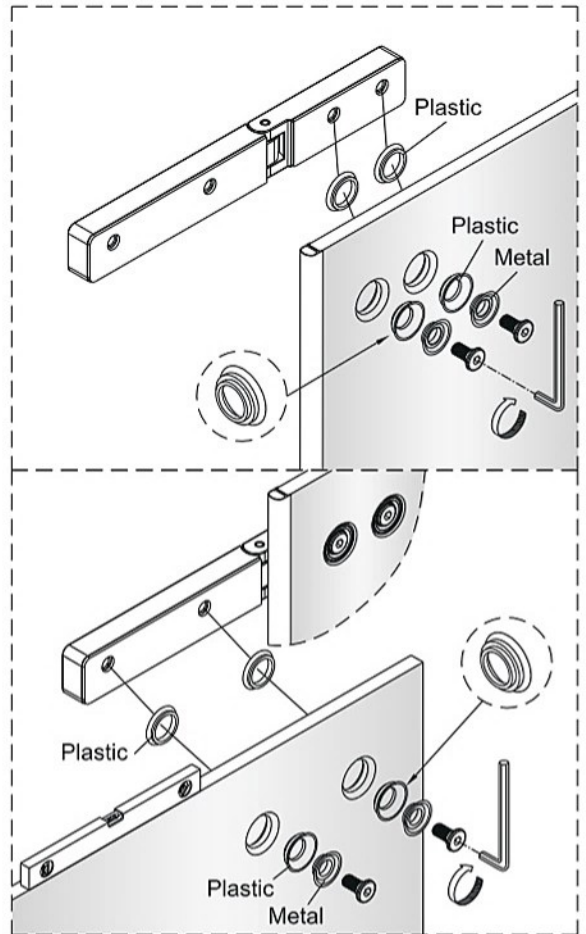
6



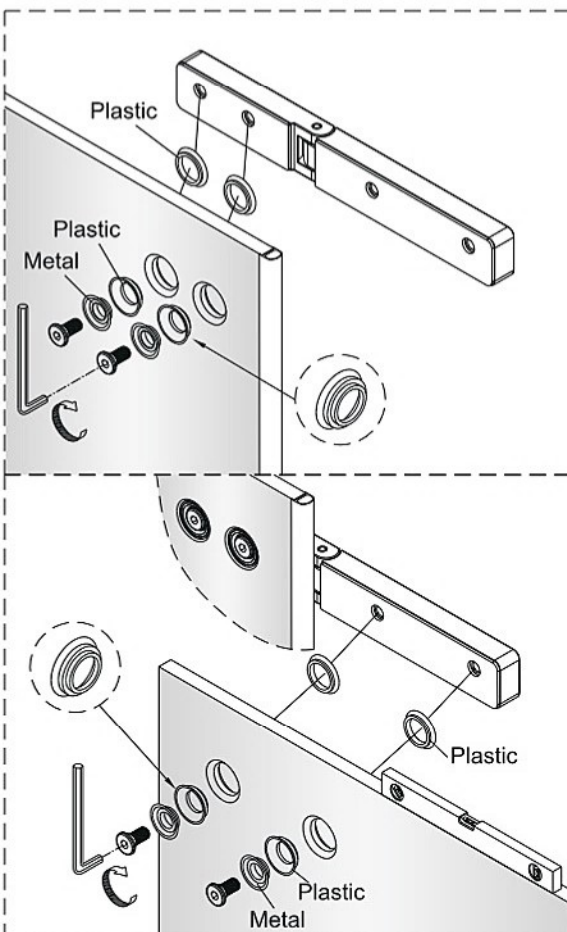
# 7 -LH



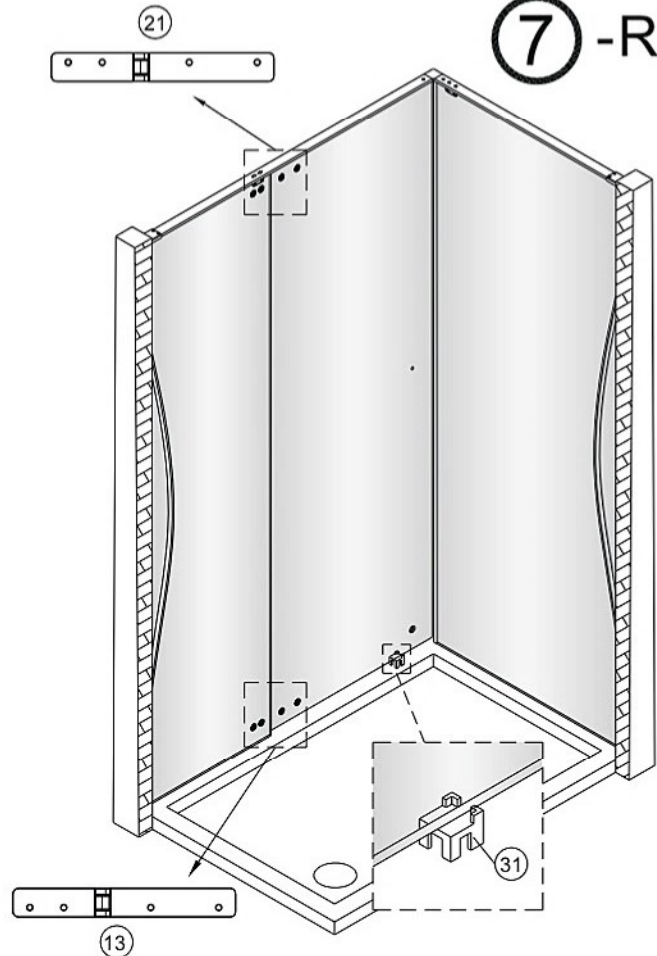
Tighten the screws.

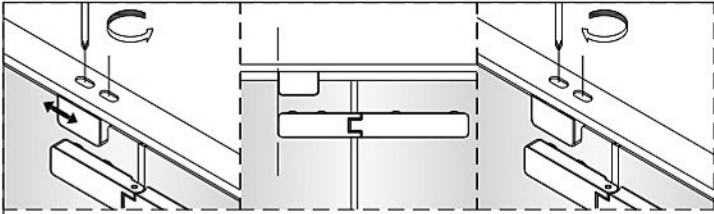


Tighten the screws.

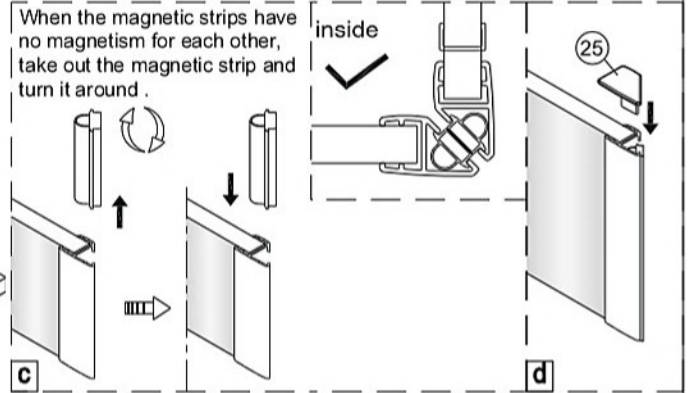
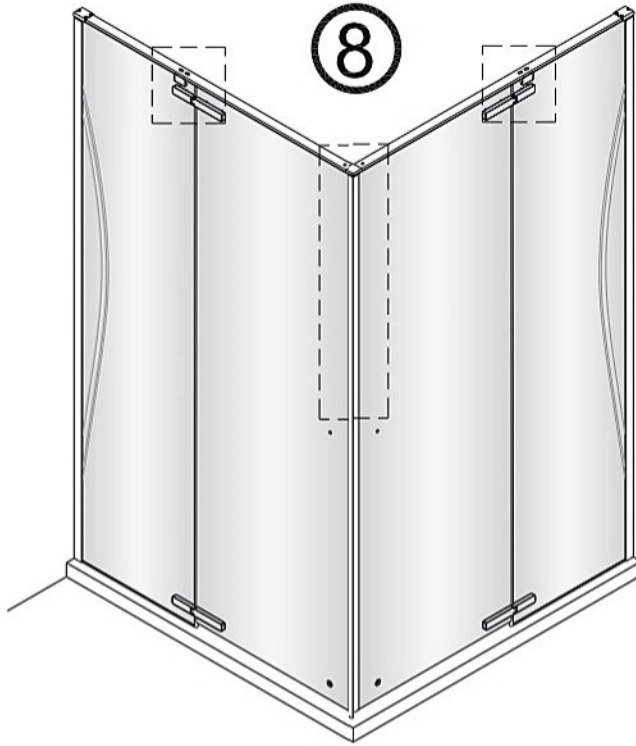
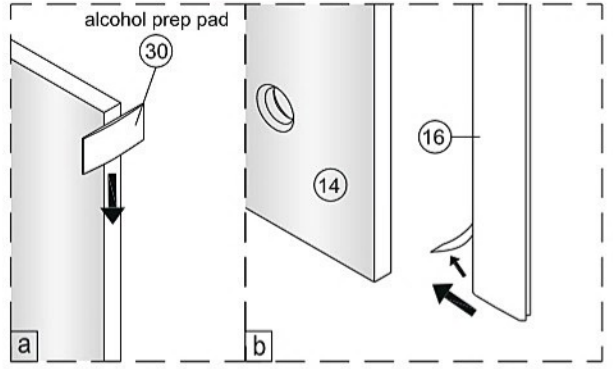


# 7 -RH

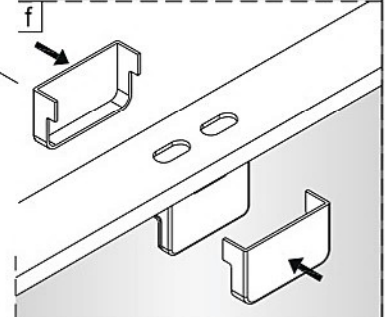
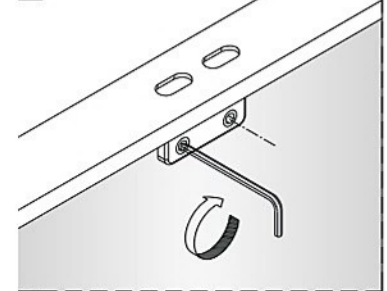
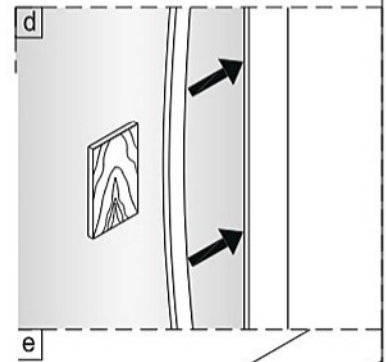
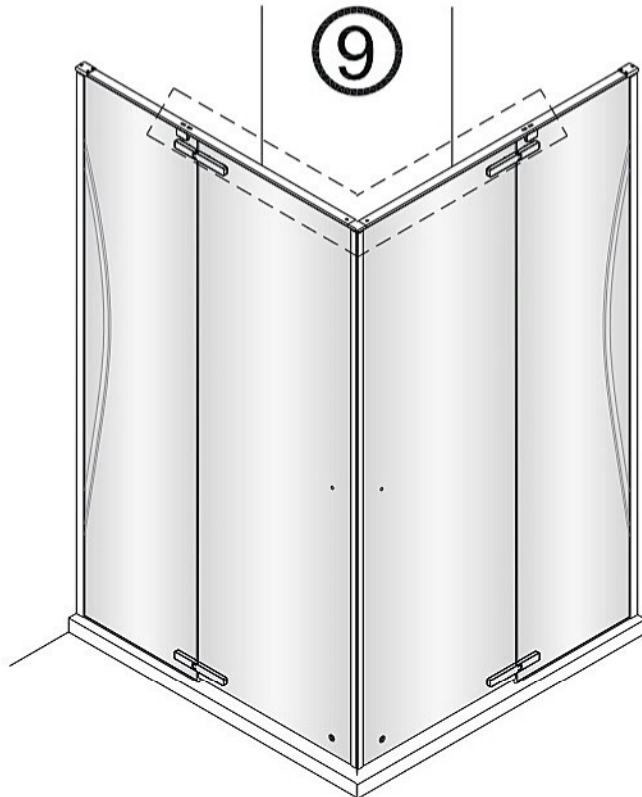
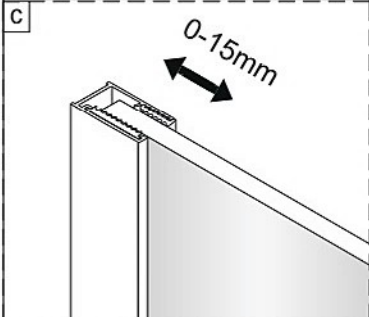
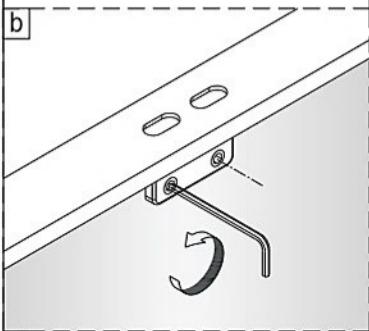
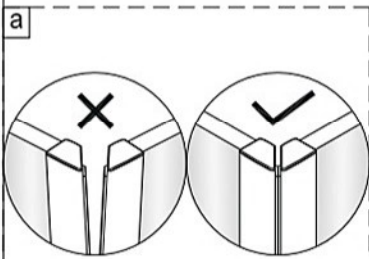




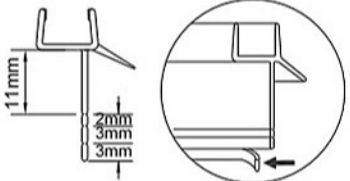
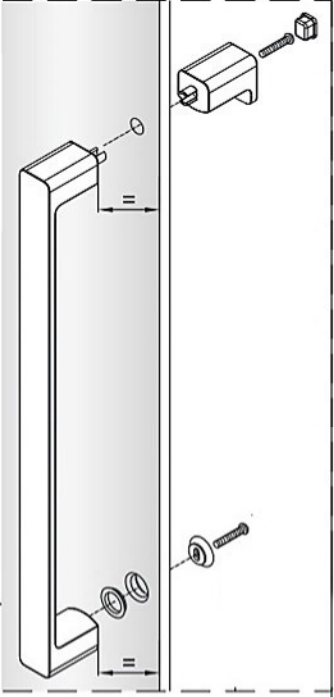
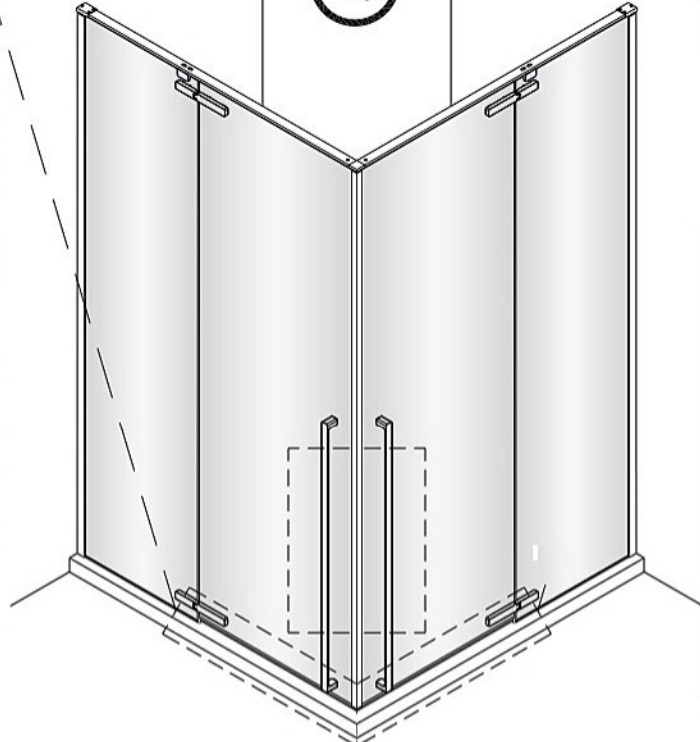
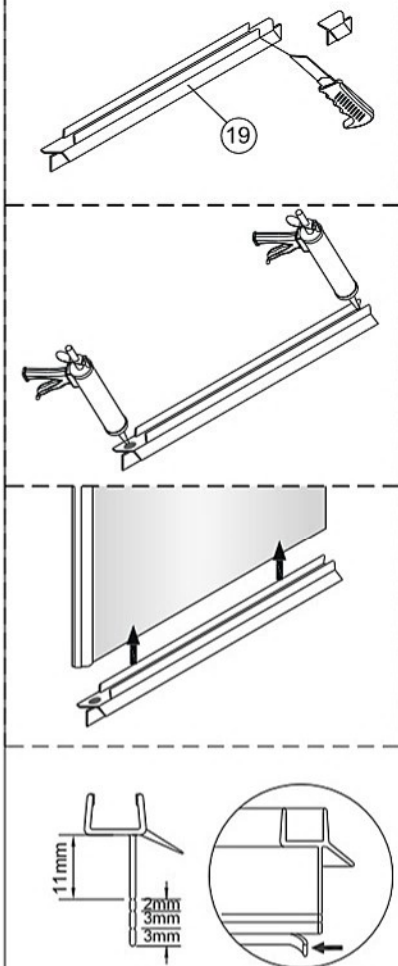
Clean the glass edge by No.30.  
Remove the double-side tap a little bit and stick the joint to the glass edge, doing them on the same time.



When the magnetic strips have no magnetism for each other, take out the magnetic strip and turn it around.

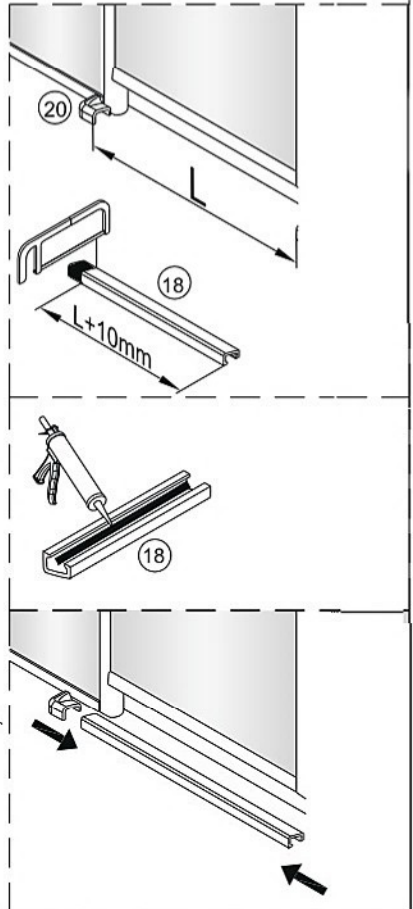
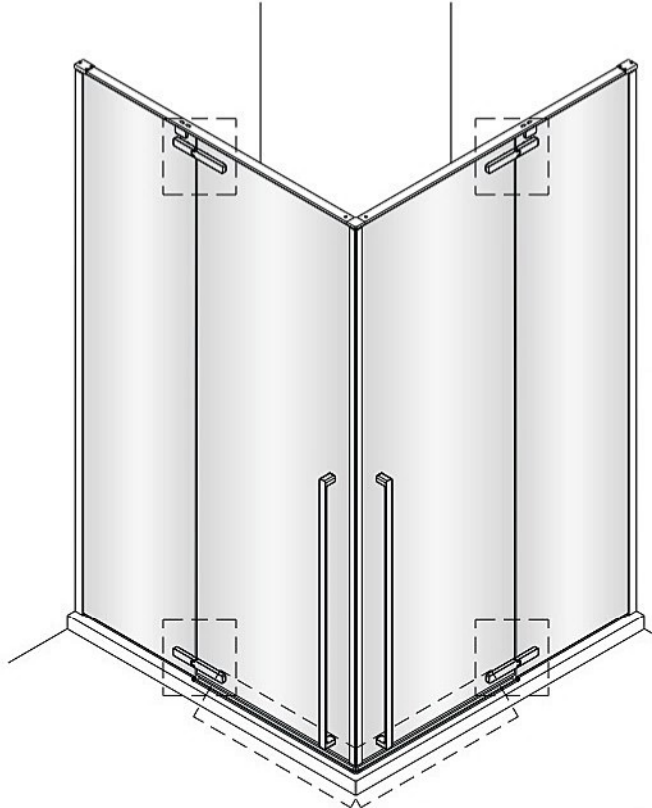
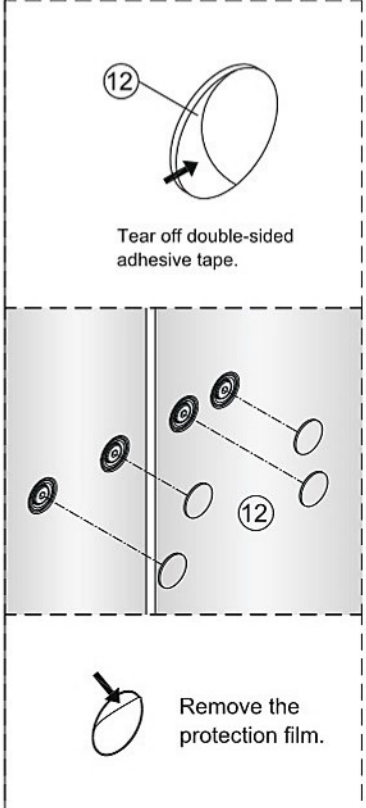


10



Adjustable curtain could be torn apart as real demand.

11



12

