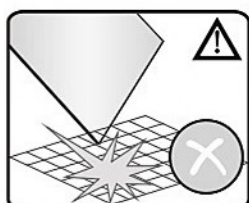
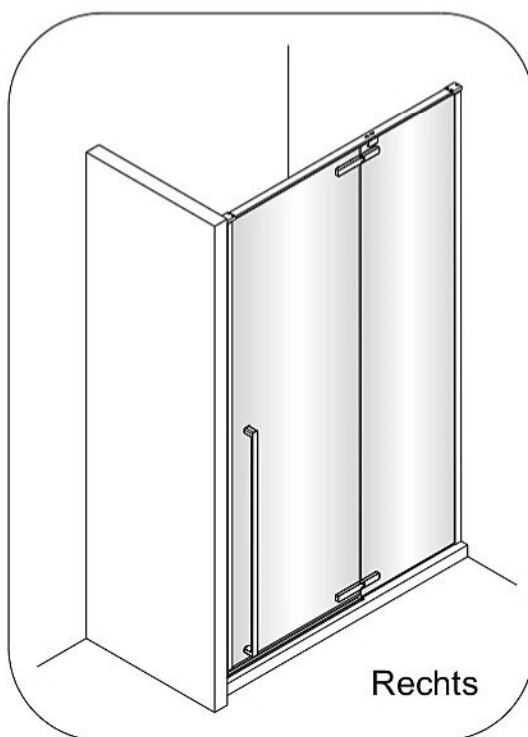
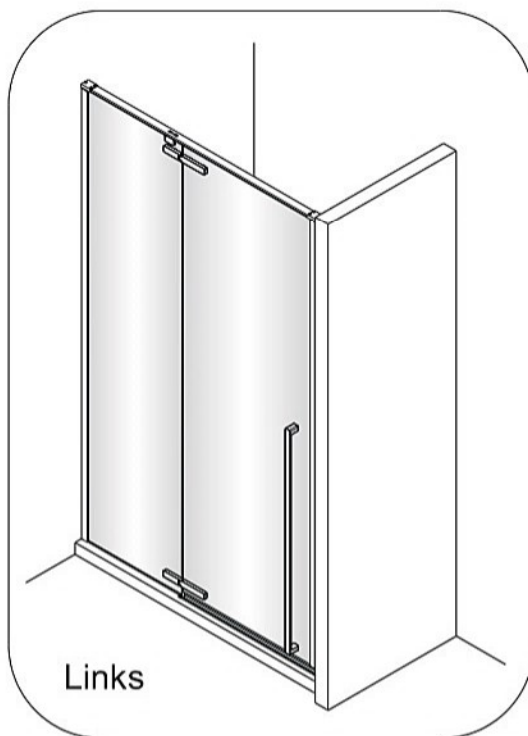


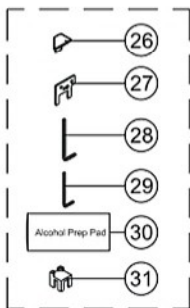
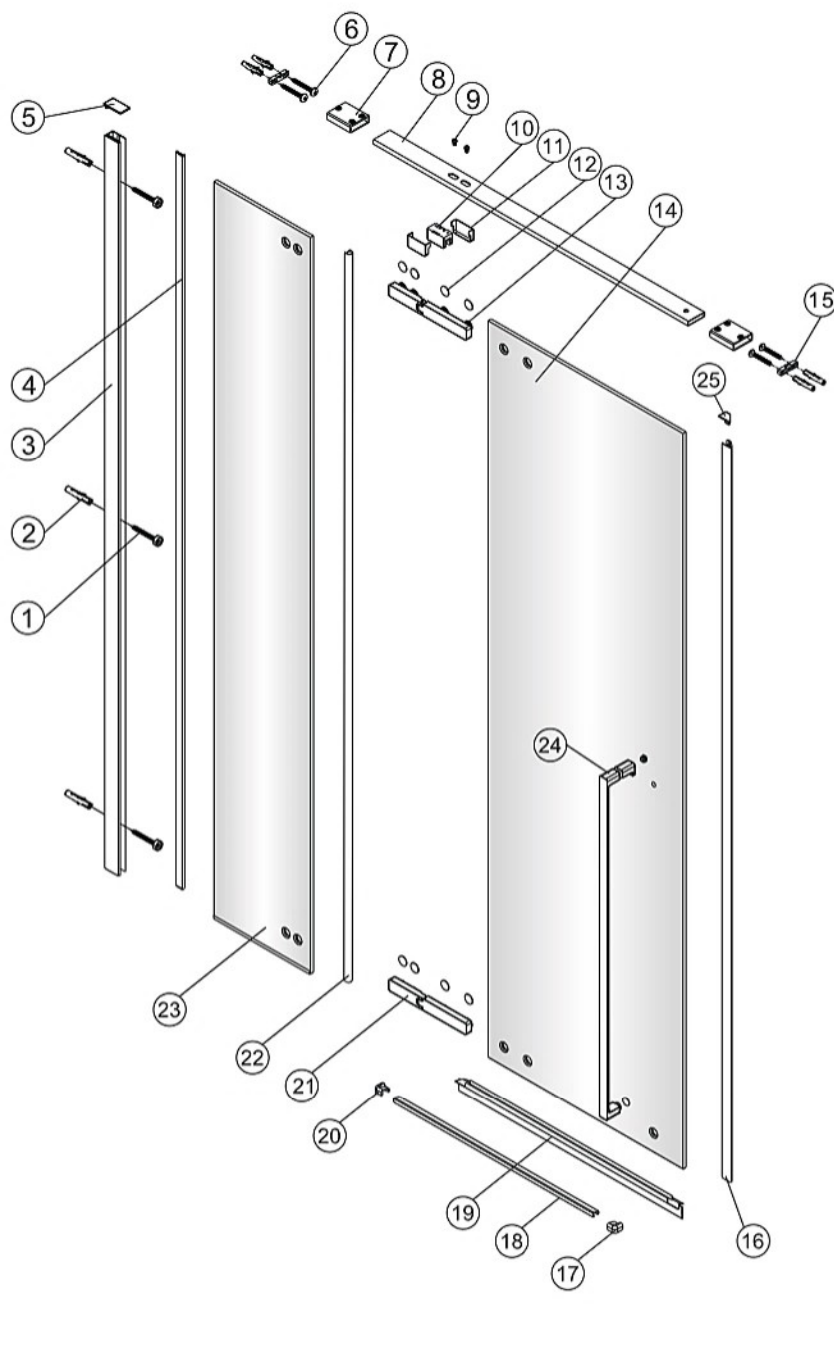
**AXM90/AXM10/AXM12**  
**Montagehandleiding**

# Alterna



**LET OP!** Gehard veiligheidsglas. Voorzichtig hanteren!  
Zet de glaswand niet op een van de punten,  
want daardoor kan hij breken.

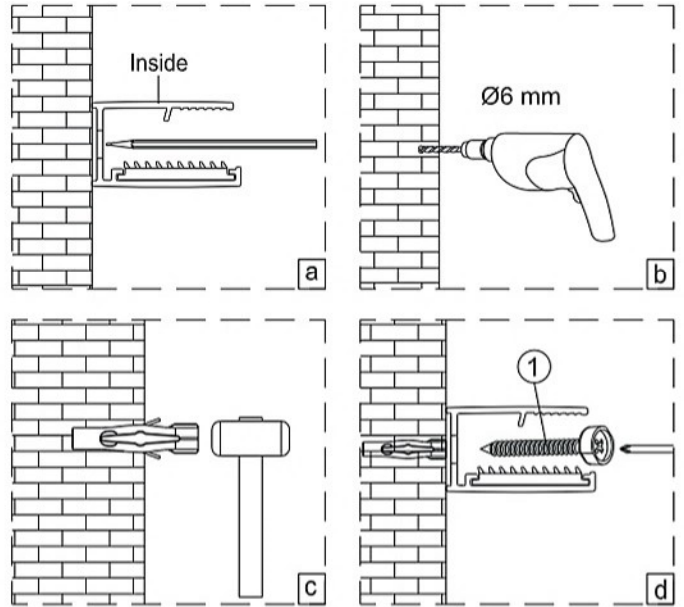
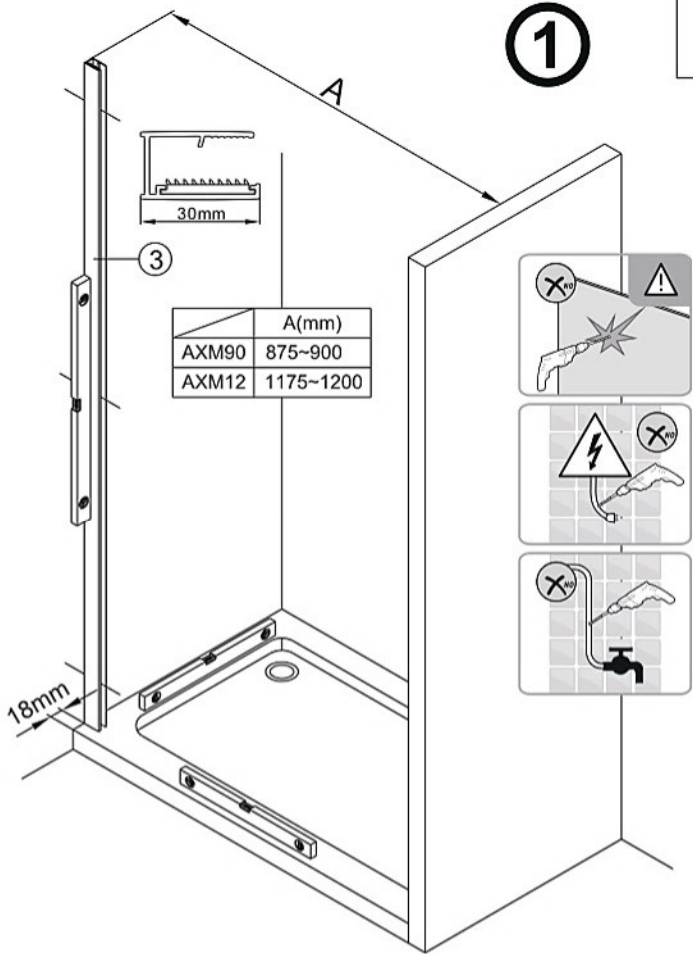
# AXM90/AXM12



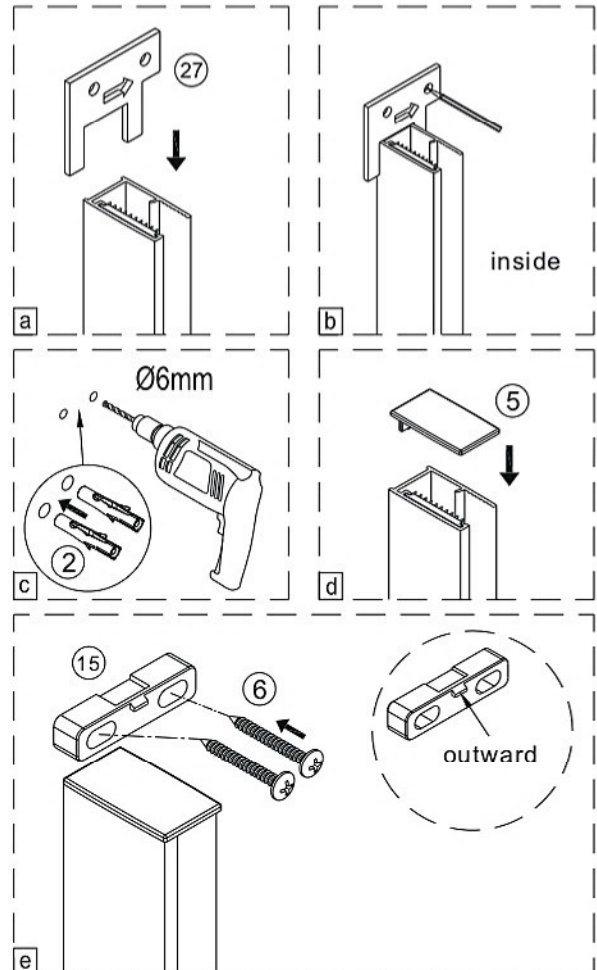
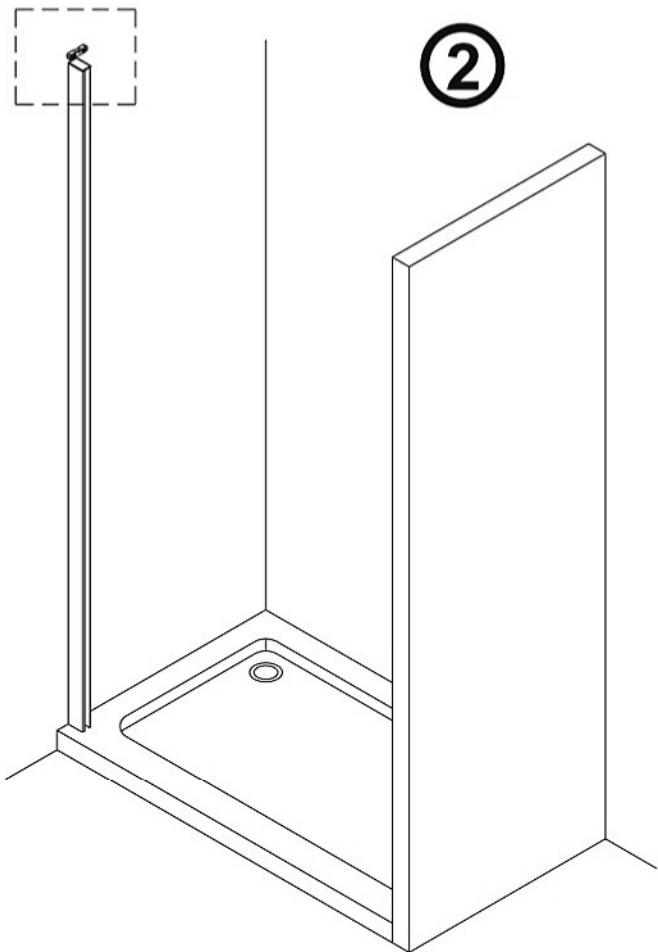
1 x3 ST4X40	2 x10	3 x1	4 x1	5 x1	6 x7 ST4X40	7 x2	8 x1	9 x2 M4X6	10 x1
11 x2	12 x8	13 x1	14 x1	15 x2	16 x1	17 x1	18 x1	19 x1	20 x1
21 x1	22 x1	23 x1	24 x1	25 x1	26 x1	27 x1	28 x1 4mm	29 x1 2.5mm	30 x2 Alcohol Prep Pad
31 x1									

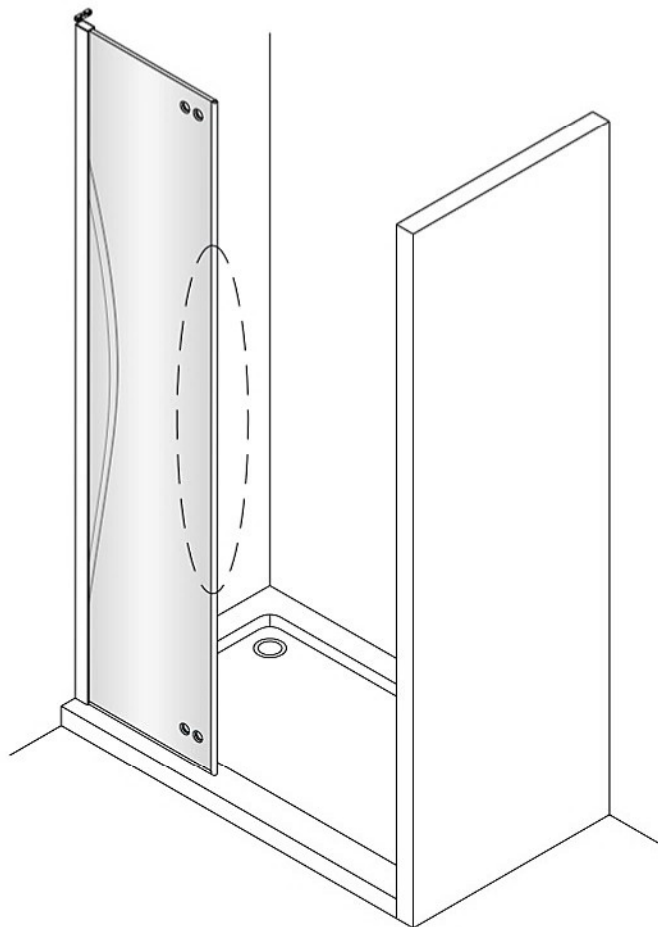
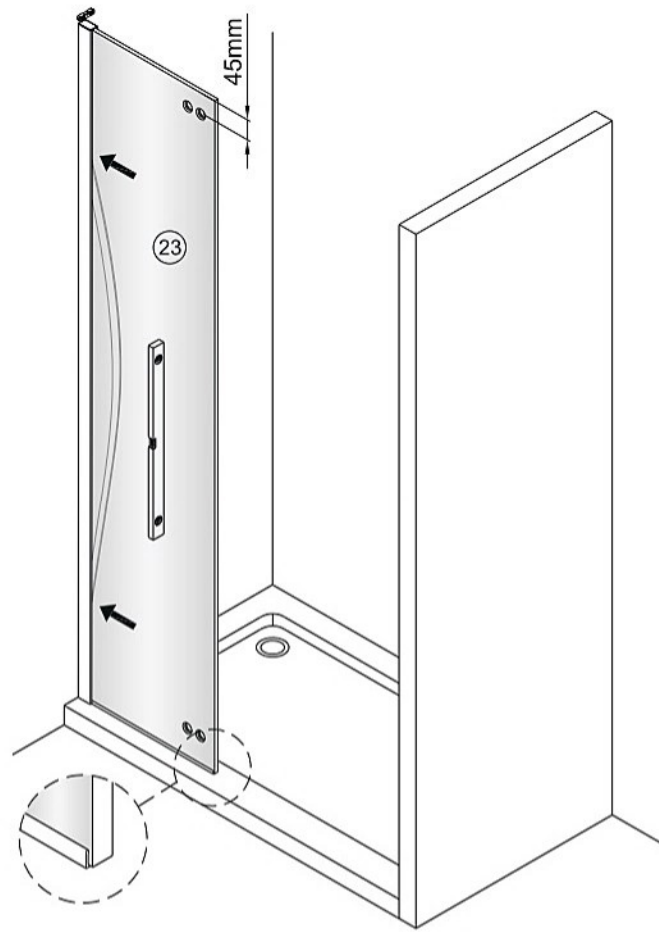
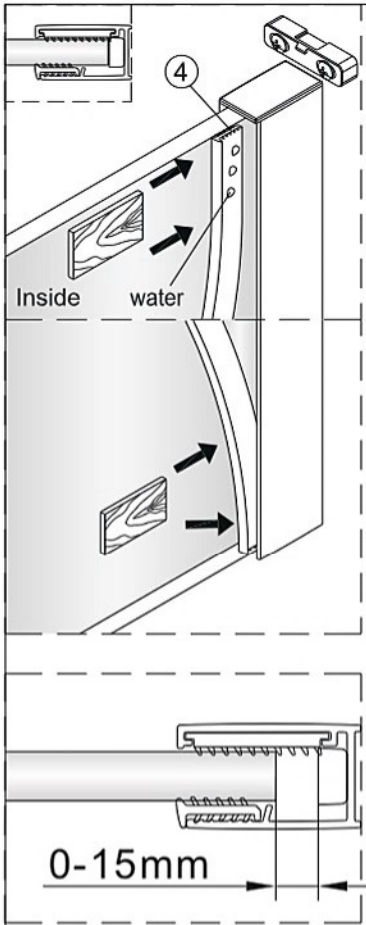
# SET A

## 1



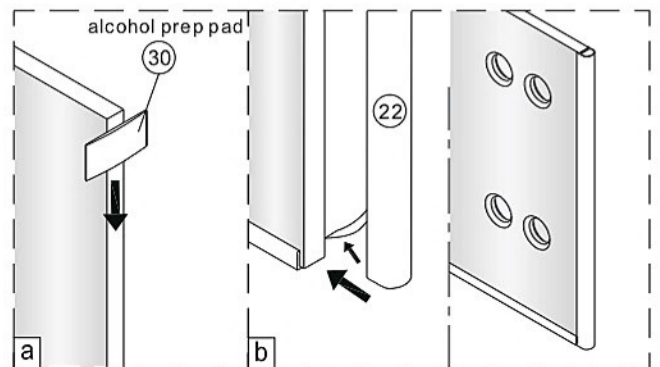
## 2



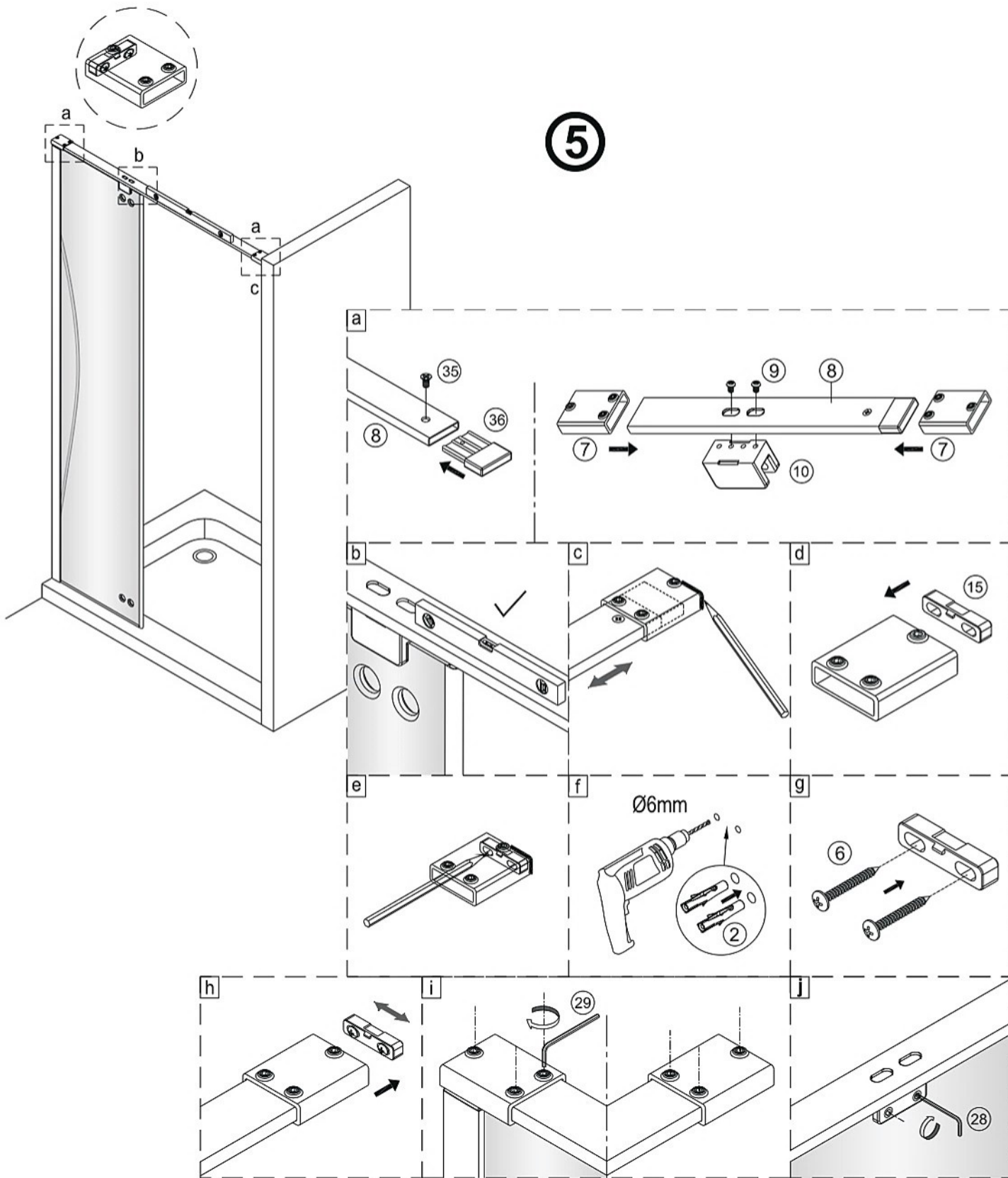


**4**

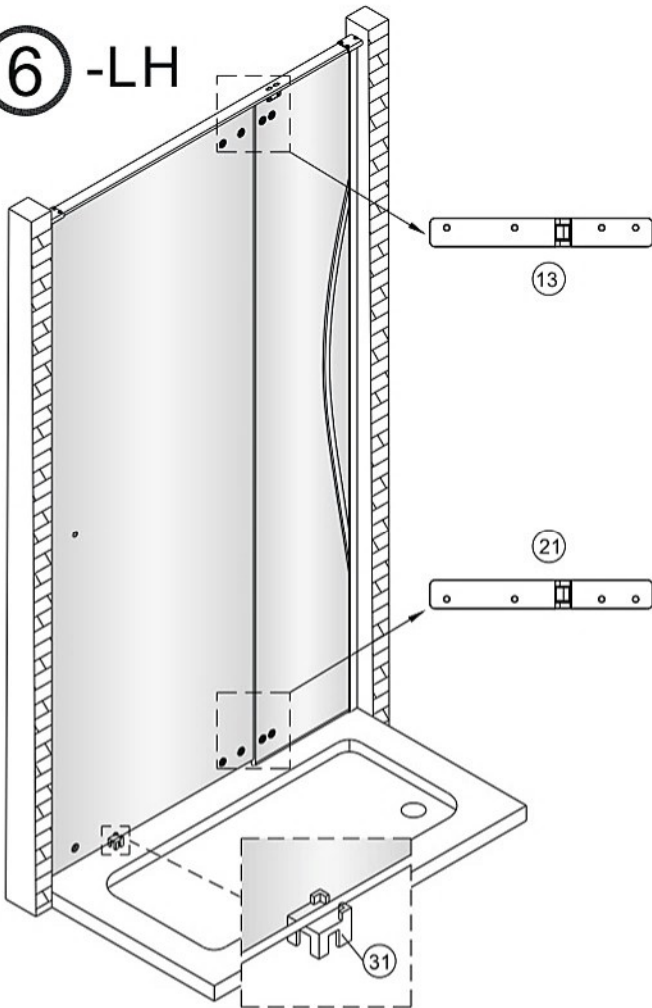
Clean the glass edge by No.30.  
Remove the double-side tap a little bit and stick the joint to the glass edge,doing them on the same time.



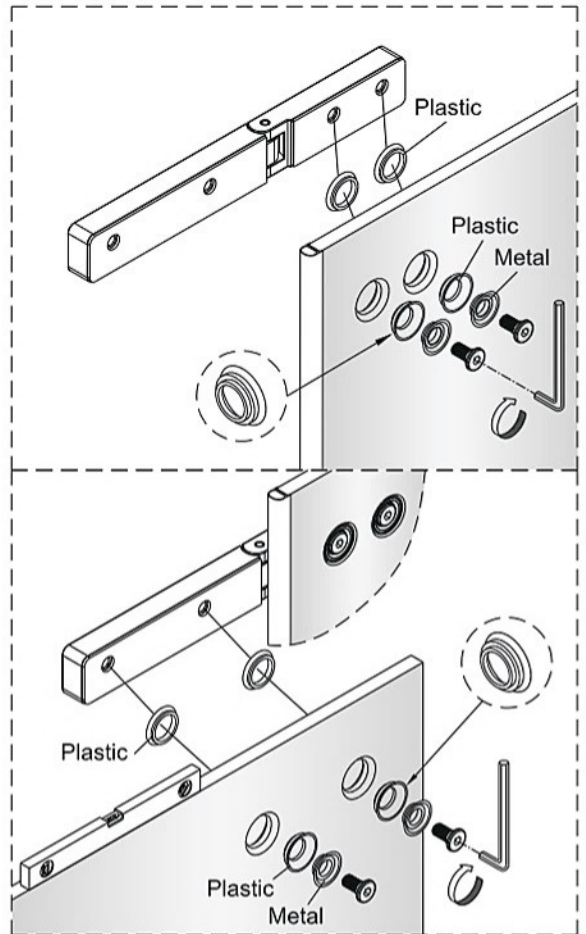
# 5



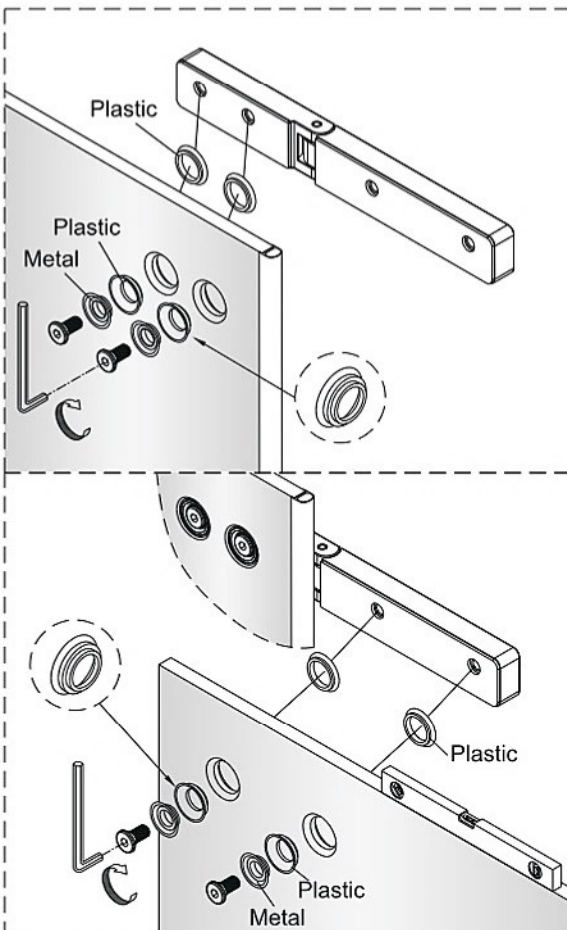
# ⑥ -LH



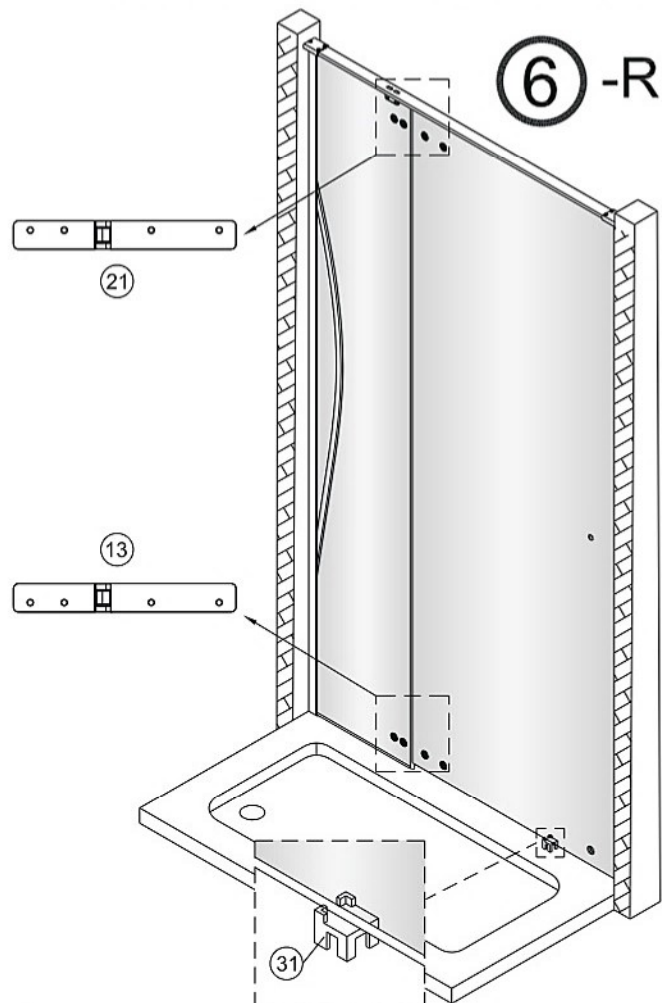
Tighten the screws.

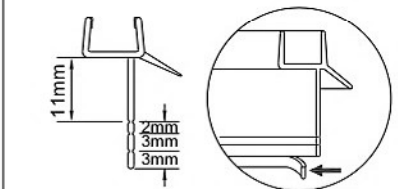
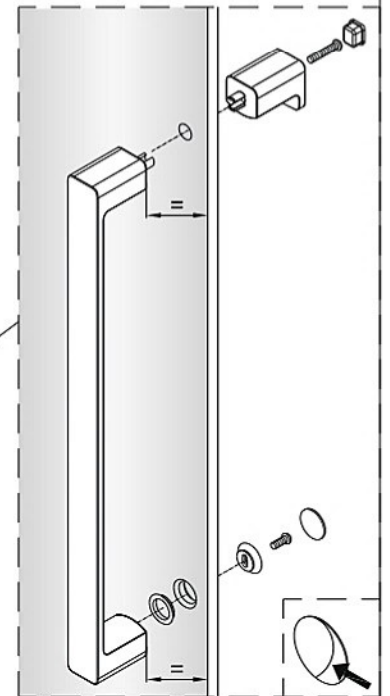
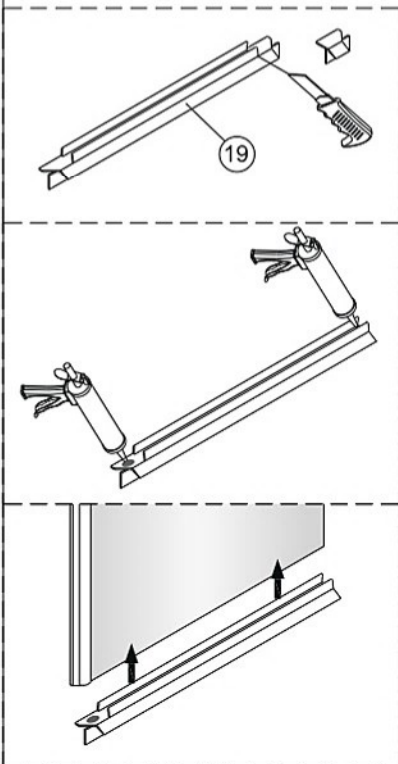
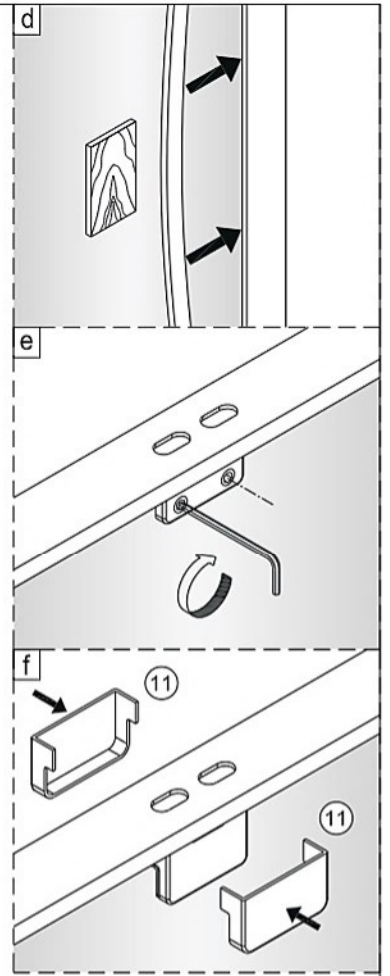
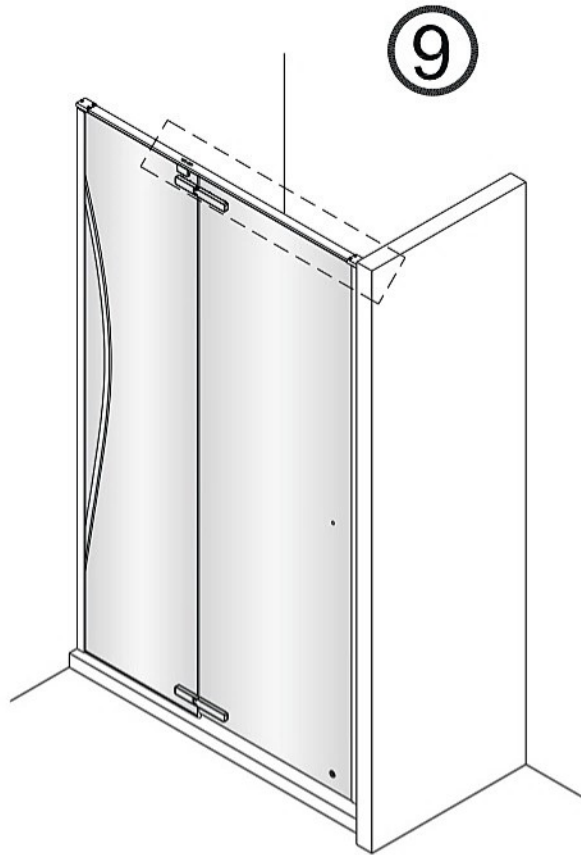
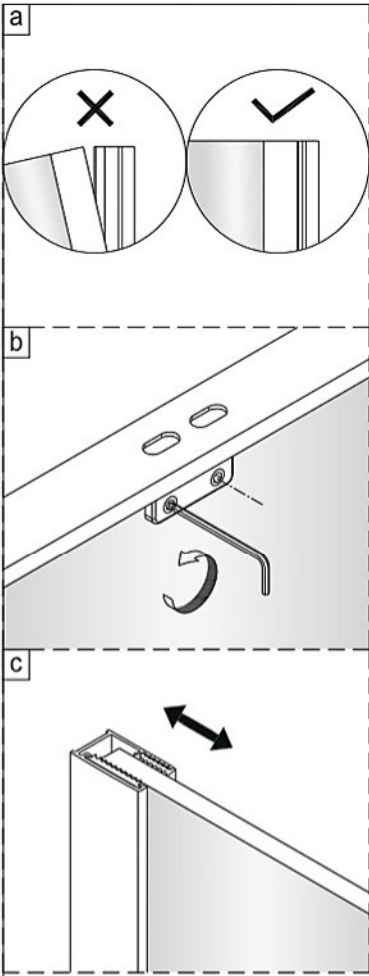


Tighten the screws.



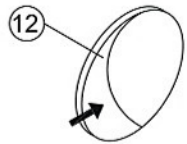
# ⑥ -RH



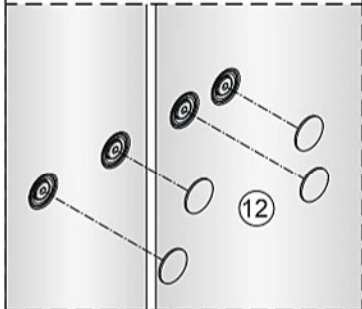


Adjustable curtain could be torn apart as real demand.

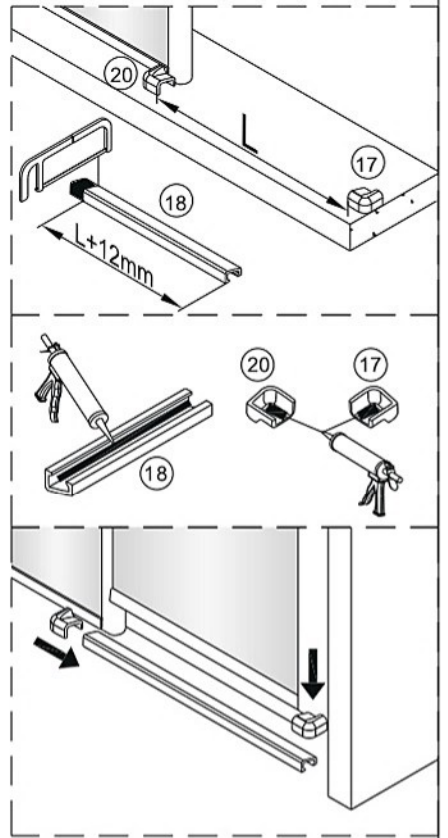
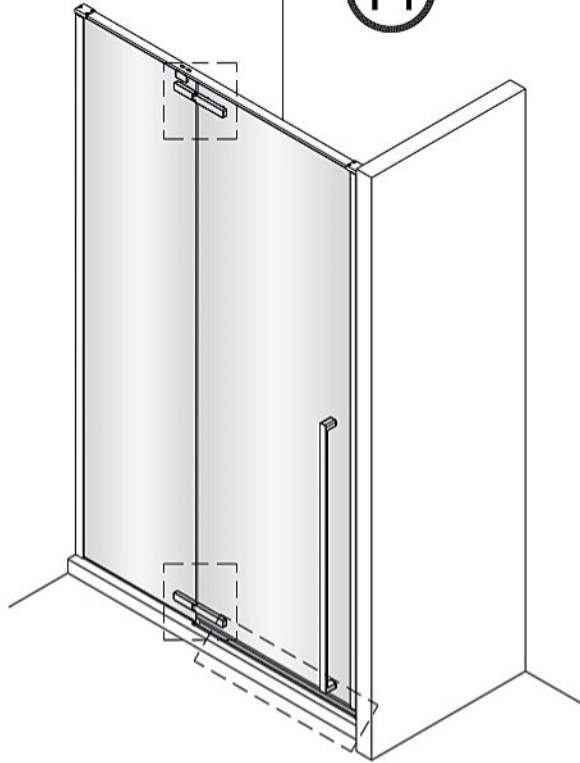
11



Tear off double-sided adhesive tape.



Remove the protection film.



12

